

**DESIGN PATENT APPLICATION SPECIFICATION**

I, Curtis A. Roys, have invented a new design for a lamp support as set in the following specification.

**LAMP SUPPORT**

**Description of the Drawings**

- [0001] FIG. 1 is a perspective view of a lamp support showing my new design;
- [0002] FIG. 2 is a front elevation of lamp support of FIG. 1;
- [0003] FIG. 3 is a rear elevation of the lamp support of FIG. 1;
- [0004] FIG. 4 is a left side elevation of the lamp support of FIG. 1;
- [0005] FIG. 5 is a right side elevation of the lamp support of FIG. 1;
- [0006] FIG. 6 is top plan view of the lamp support of FIG. 1; and
- [0007] FIG. 7 is a bottom plan view of the lamp support of FIG. 1.
- [0008] FIG. 8 shows the lamp support in use.

The components shown in dashed lines are for illustrative purposes only and form no part of the claimed design.

**CLAIM**

I claim the ornamental design for a lamp support as shown and described.

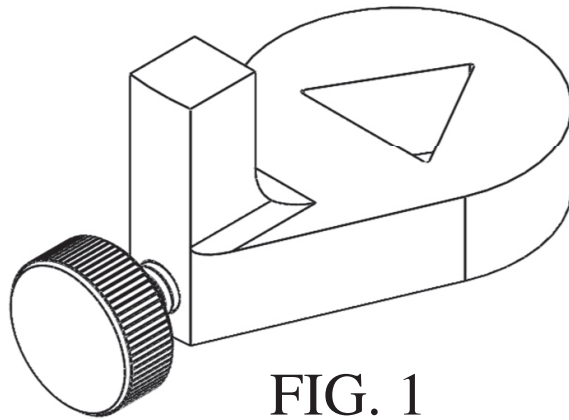


FIG. 1

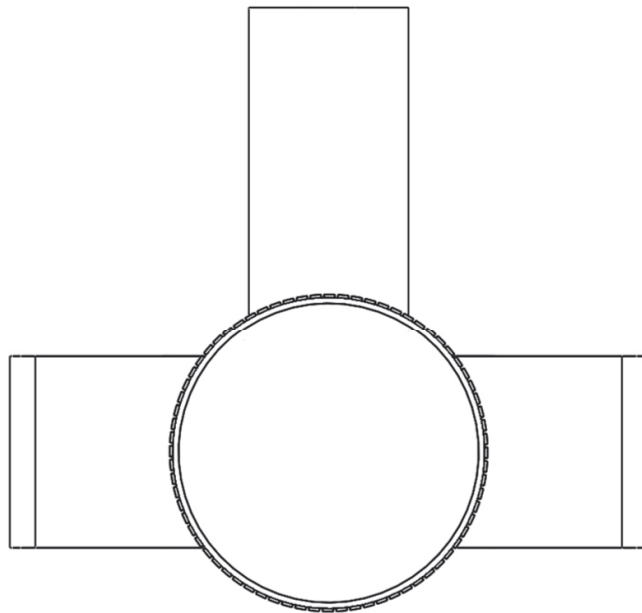


FIG. 2