

# **EXHIBIT 1**



US009311835B2

(12) **United States Patent**  
**Breihof**

(10) **Patent No.:** **US 9,311,835 B2**  
(45) **Date of Patent:** **Apr. 12, 2016**

(54) **LIGHTING MOUNT FOR INTERIOR-LIGHTED SIGNAGE AND METHOD OF RETROFITTING A LIGHTED SIGN**

(75) Inventor: **Thomas C. Breihof**, Belmont, MI (US)

(73) Assignee: **SignComp, LLC**, Grand Rapids, MI (US)

(\* ) Notice: Subject to any disclaimer, the term of this patent is extended or adjusted under 35 U.S.C. 154(b) by 1058 days.

(21) Appl. No.: **13/302,235**

(22) Filed: **Nov. 22, 2011**

(65) **Prior Publication Data**

US 2012/0124874 A1 May 24, 2012

**Related U.S. Application Data**

(60) Provisional application No. 61/417,156, filed on Nov. 24, 2010.

(51) **Int. Cl.**  
**F21V 1/00** (2006.01)  
**G09F 13/04** (2006.01)

(52) **U.S. Cl.**  
CPC ..... **G09F 13/04** (2013.01); **Y10T 29/49716** (2015.01)

(58) **Field of Classification Search**  
CPC ..... F21Y 2103/00; F21S 4/003; F21S 4/008; G09F 13/00; G09F 9/33; F21W 2131/405; F21V 23/001; F21V 23/06; Y02B 20/386; Y10S 362/812  
USPC ..... 362/217.02; 40/541  
See application file for complete search history.

(56) **References Cited**

U.S. PATENT DOCUMENTS

4,748,545 A *	5/1988	Schmitt	362/219
6,354,714 B1 *	3/2002	Rhodes	362/153.1
7,307,391 B2 *	12/2007	Shan	315/291
7,806,569 B2	10/2010	Sanroma et al.	
7,926,977 B2	4/2011	Nall et al.	
8,109,647 B2 *	2/2012	Soo et al.	362/217.03
8,115,411 B2 *	2/2012	Shan	315/294
8,118,447 B2 *	2/2012	Simon et al.	362/235
8,172,097 B2	5/2012	Nearman et al.	
8,201,965 B2 *	6/2012	Yamada et al.	362/217.01
8,474,998 B2	7/2013	Wang et al.	
8,523,394 B2 *	9/2013	Simon et al.	362/249.05
8,531,109 B2 *	9/2013	Visser et al.	315/88
8,674,626 B2 *	3/2014	Siemiet et al.	315/308

(Continued)

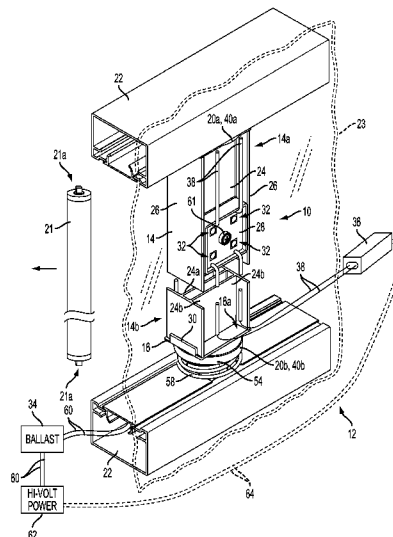
FOREIGN PATENT DOCUMENTS

JP 07121122 5/1995  
*Primary Examiner* — William Carter  
(74) *Attorney, Agent, or Firm* — Gardner, Linn, Burkhardt & Flory, LLP

(57) **ABSTRACT**

A lamp support assembly, retrofit kit, and method are provided for lighting a sign from an interior thereof. The assembly can be used as a drop-in replacement for high-voltage gas-discharge tube lamps such as high-output fluorescent lamps, and may be used to retrofit signs originally built for gas-discharge tube lamps with low-voltage, high-efficiency lighting such as LED lighting. The assembly includes an elongate support member for supporting electric lamp units, with end caps at opposite ends of the support member for engaging the original electro-mechanical mounts (or replacement mounts) in the sign. Thus, the lamp support assembly can be supported in the sign in a similar manner as gas-discharge tube lamps, and can be powered by a low-voltage power source, which may replace a higher-voltage power source in the case of a retrofit.

**20 Claims, 12 Drawing Sheets**



**US 9,311,835 B2**

Page 2

---

(56)

**References Cited**

U.S. PATENT DOCUMENTS

2002/0126064	A1	9/2002	Yen	2010/0165627	A1	7/2010	Wung et al.
2007/0242466	A1	10/2007	Wu et al.	2011/0019348	A1	1/2011	Kludt et al.
2008/0244944	A1	10/2008	Nall et al.	2011/0019413	A1*	1/2011	Zimmerman et al. ... 362/249.02
2009/0091929	A1*	4/2009	Faubion ..... 362/234	2011/0310598	A1*	12/2011	Swafford, Jr. .... 362/217.02
				2012/0113628	A1*	5/2012	Burrow et al. .... 362/184

\* cited by examiner

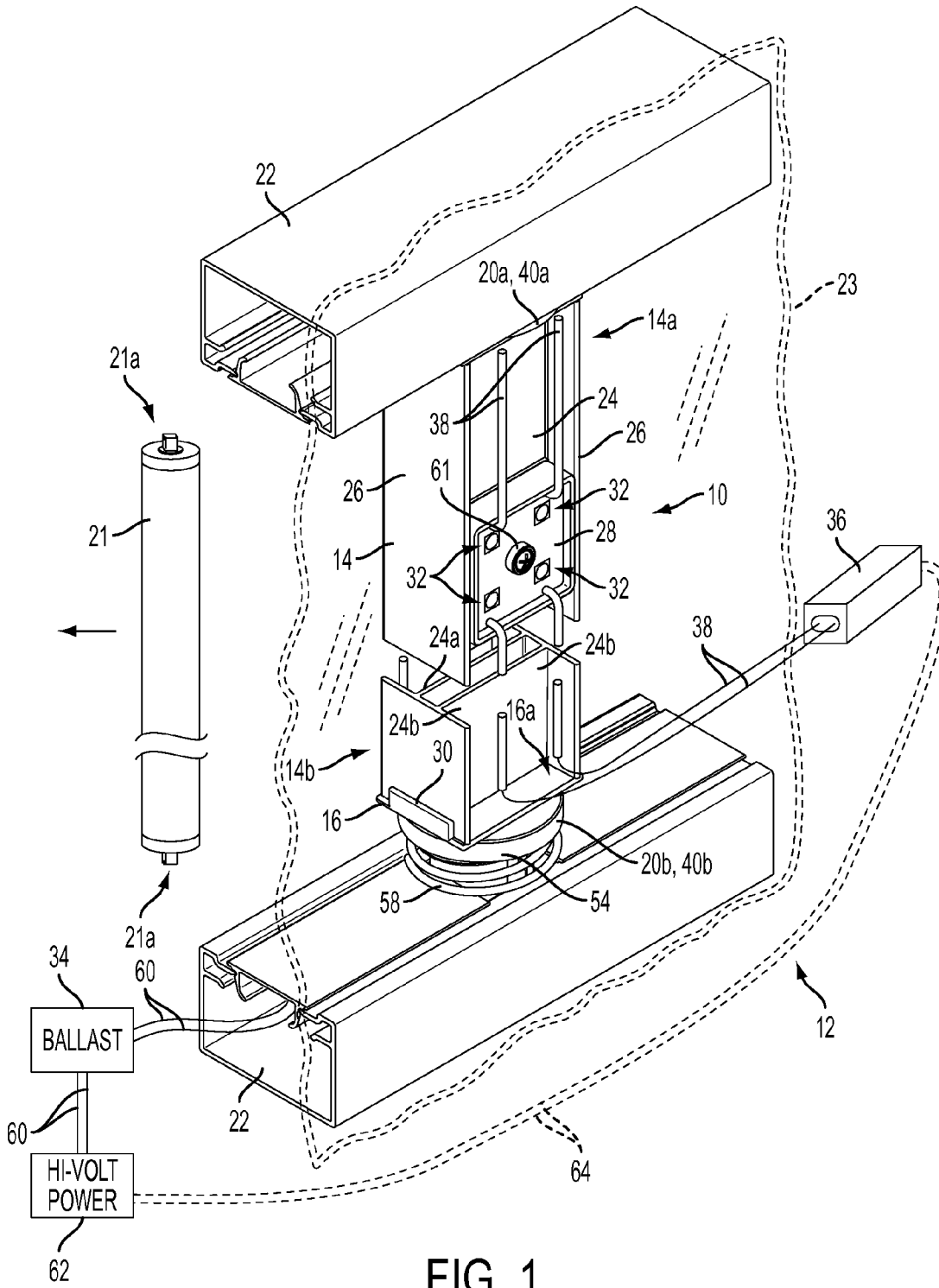


FIG. 1

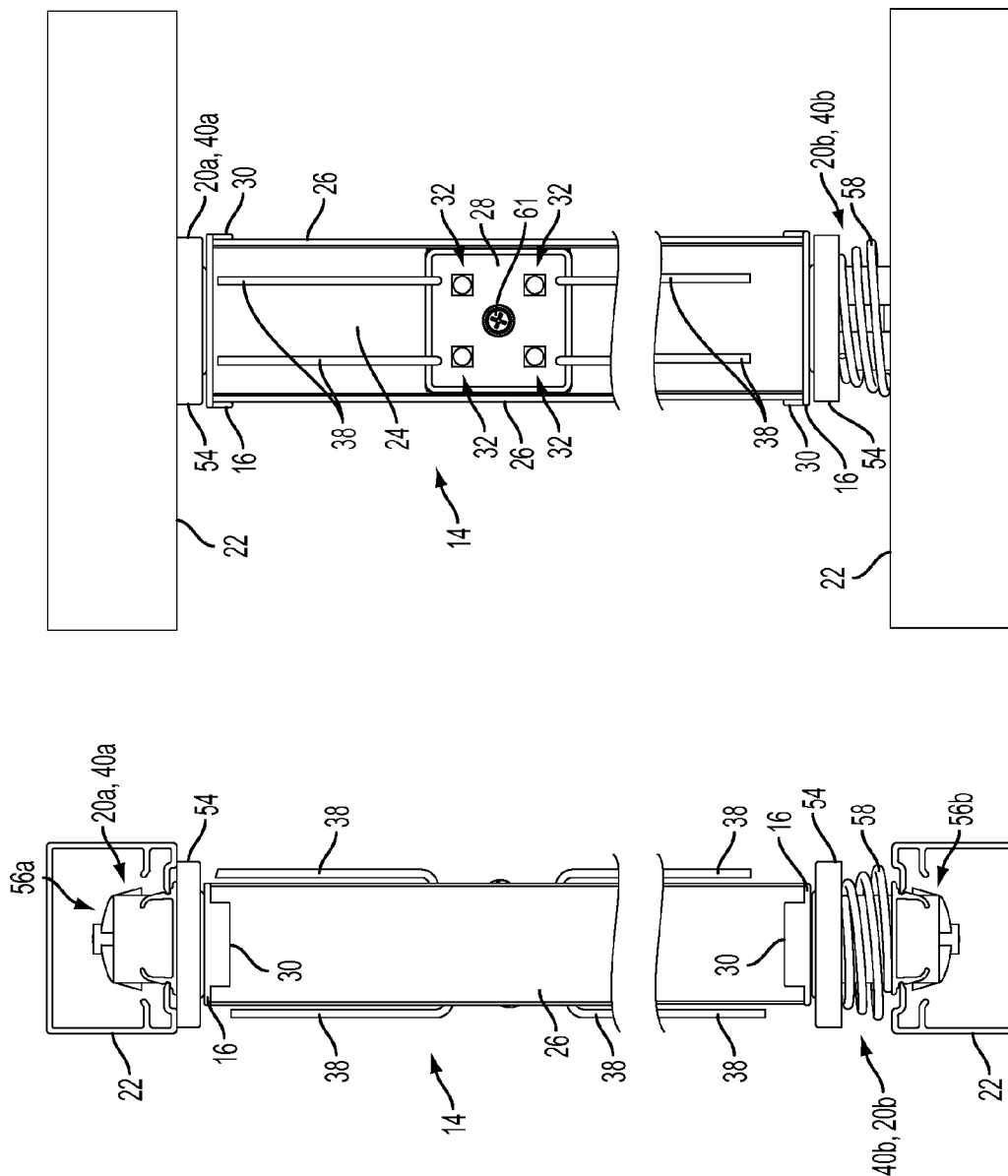
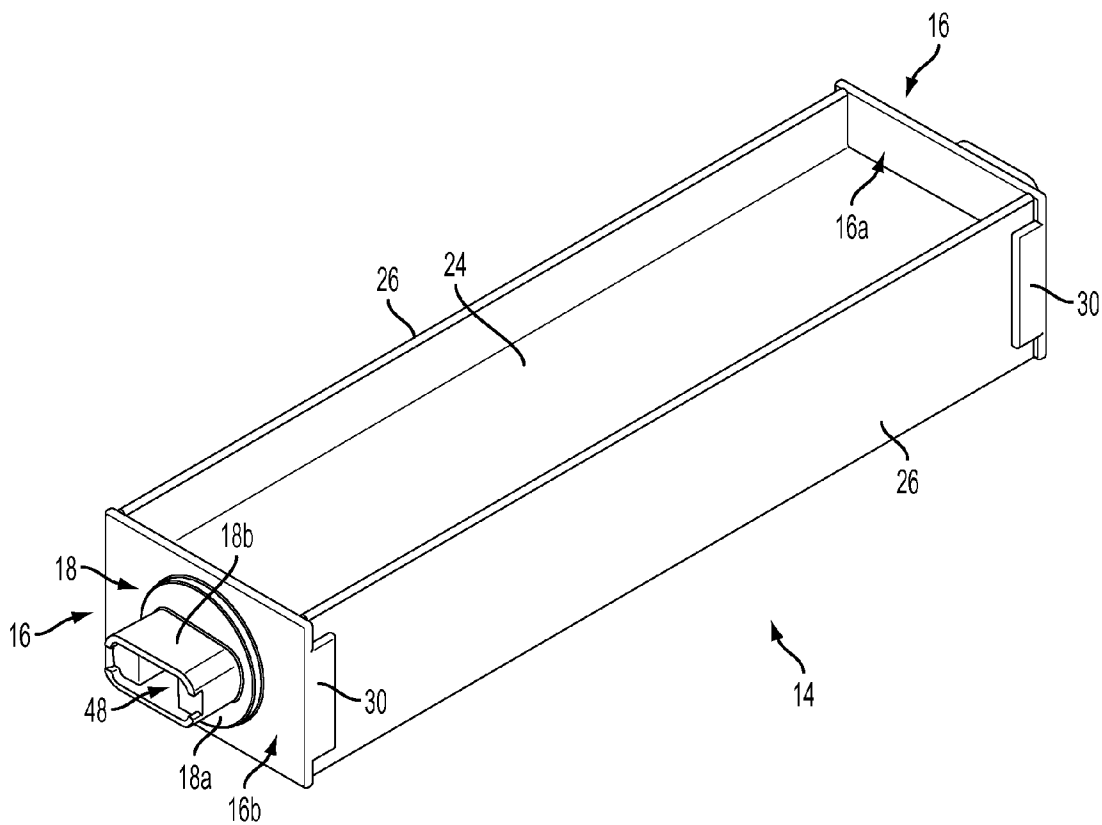


FIG. 3

FIG. 2



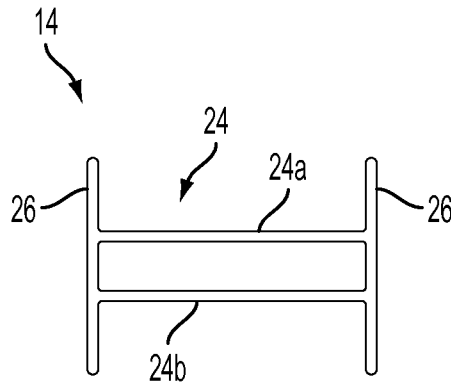


FIG. 5

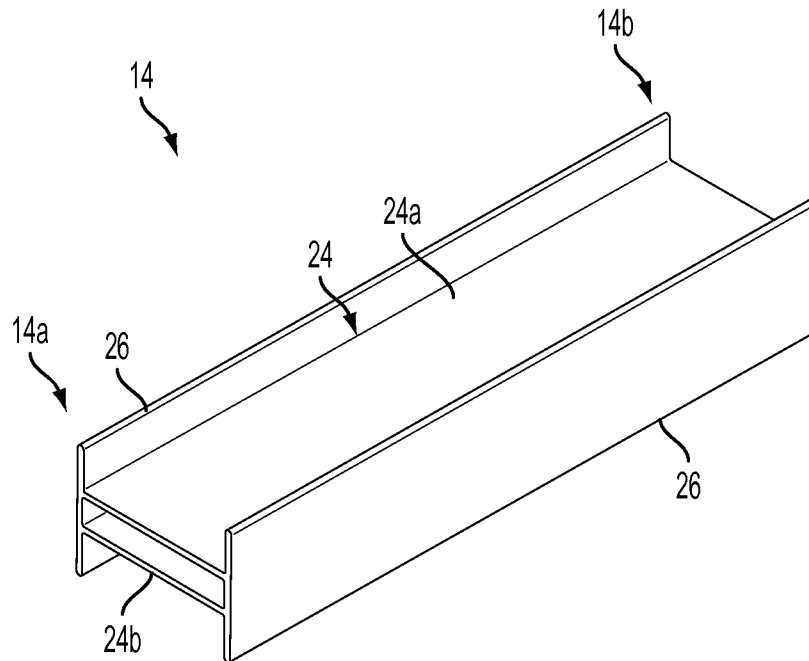
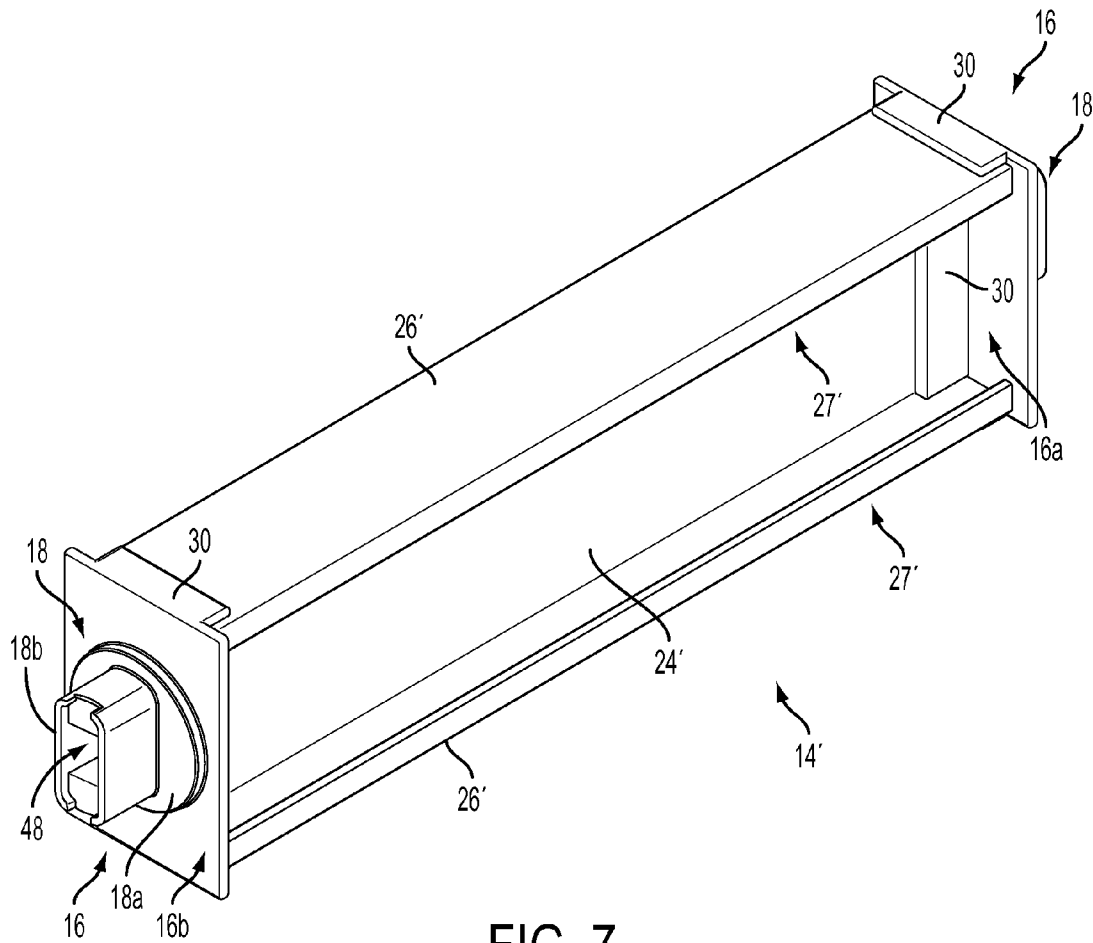


FIG. 6





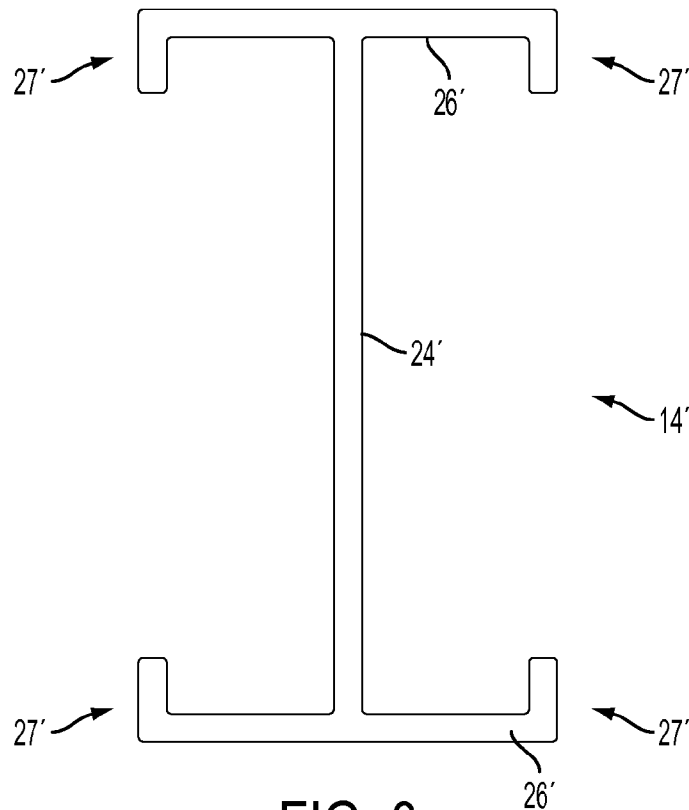


FIG. 8

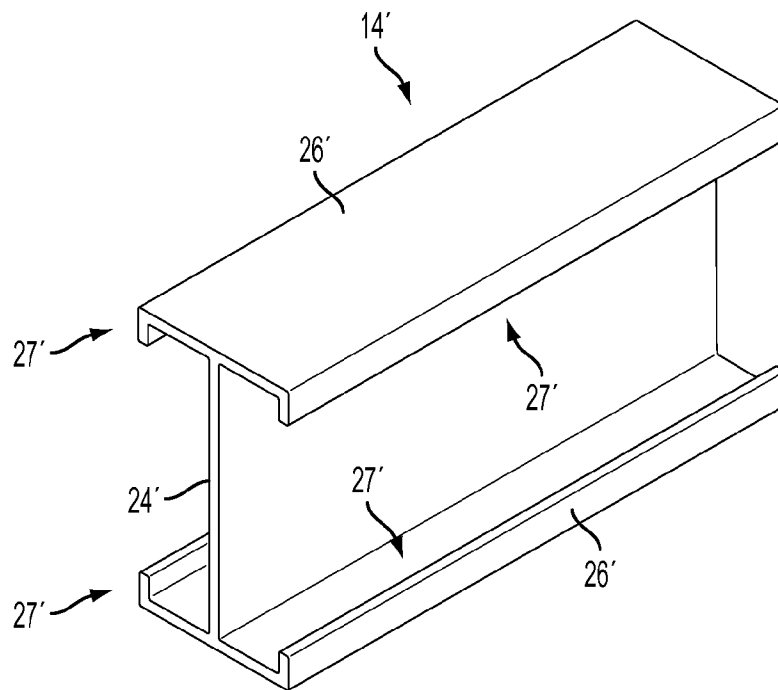


FIG. 9

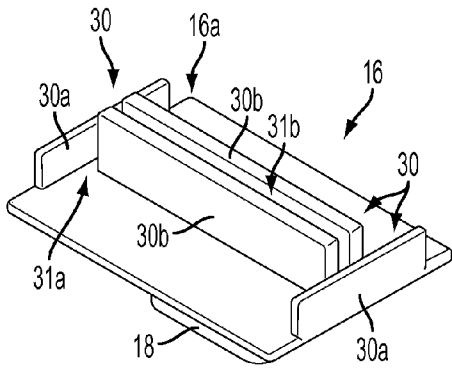


FIG. 10

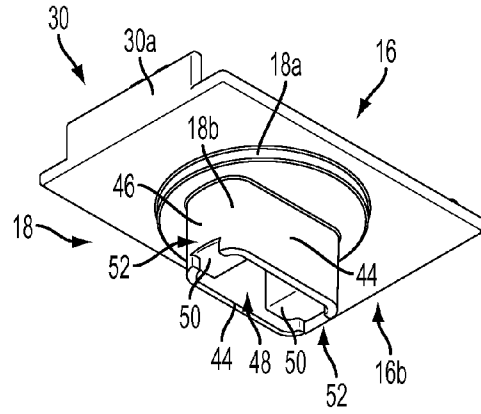


FIG. 11

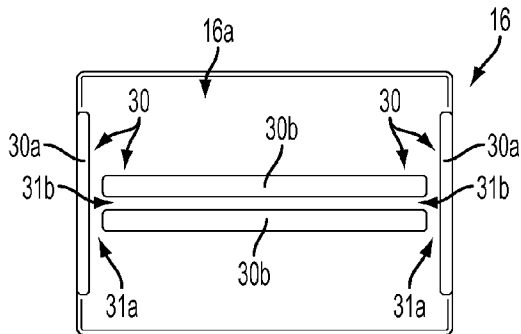


FIG. 12

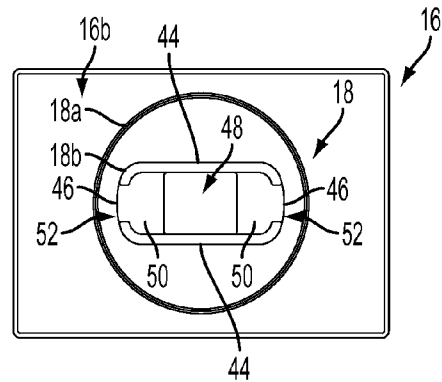


FIG. 13

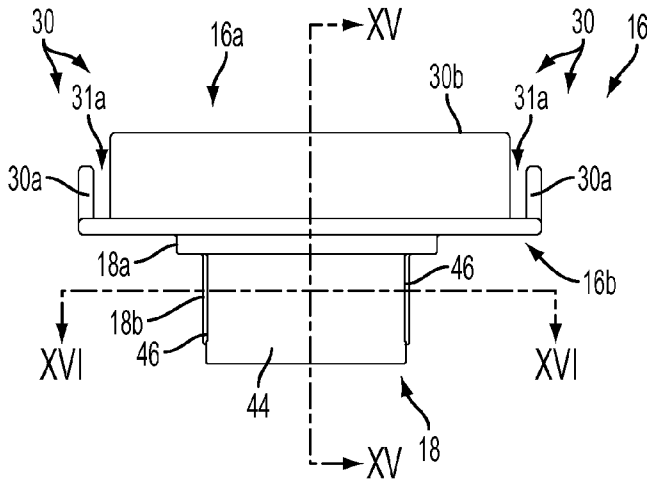


FIG. 14

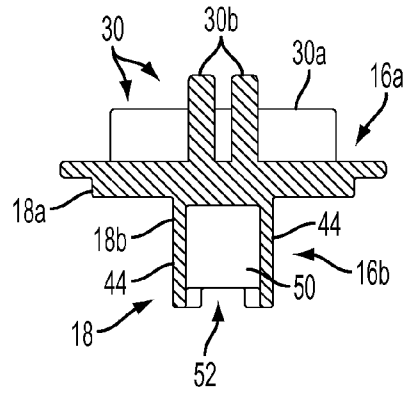


FIG. 15

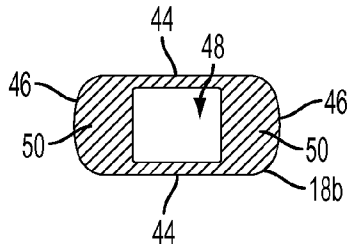


FIG. 16

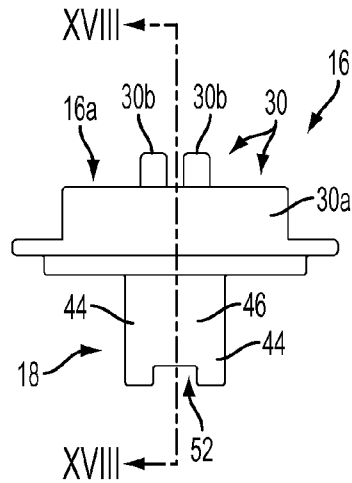


FIG. 17

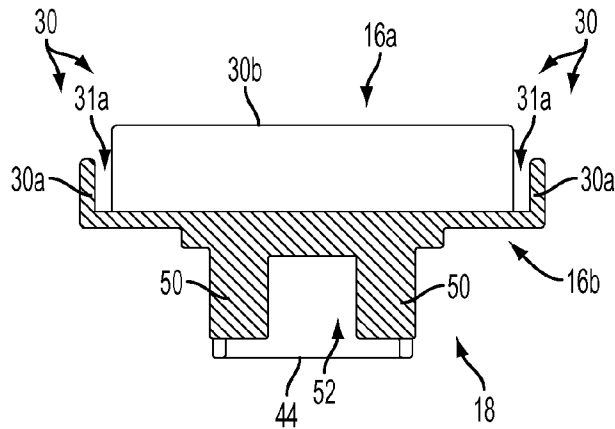


FIG. 18

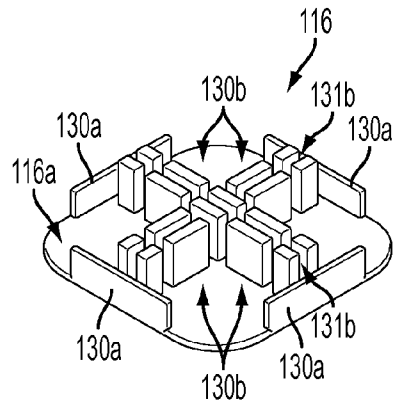


FIG. 19

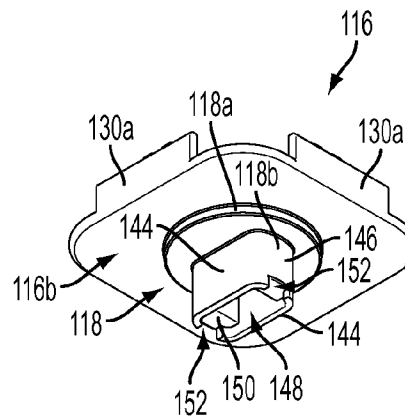


FIG. 20

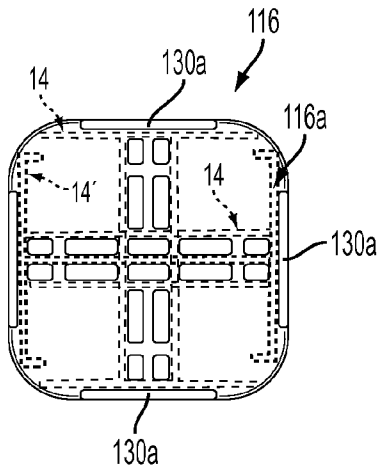


FIG. 21A

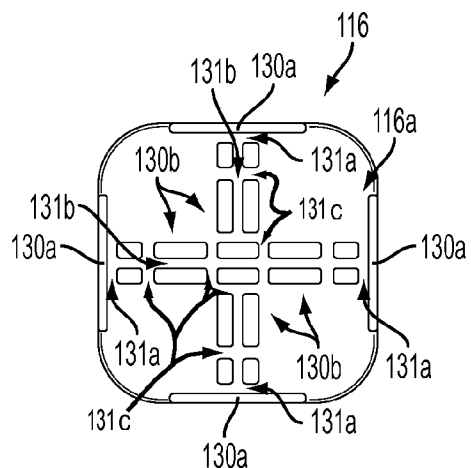


FIG. 21B

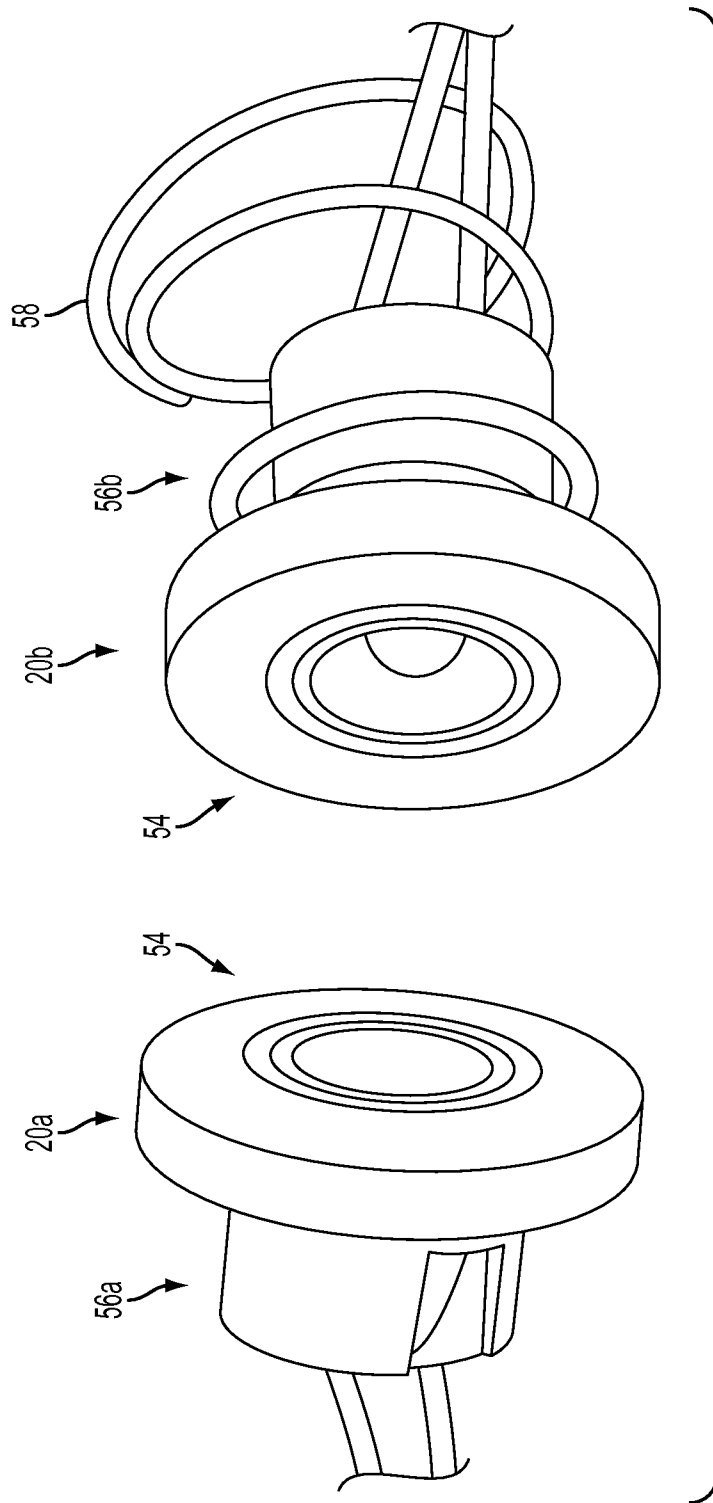
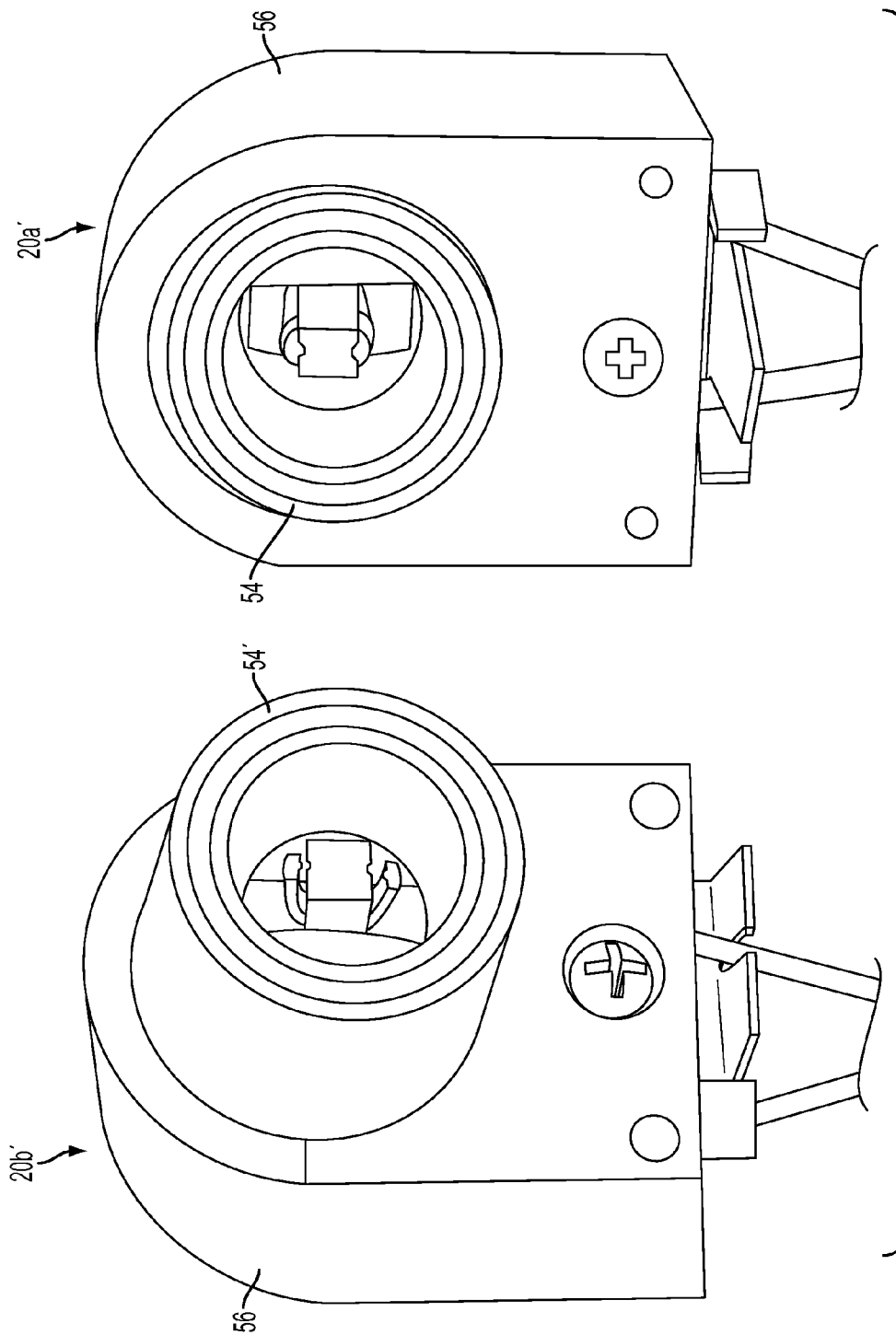
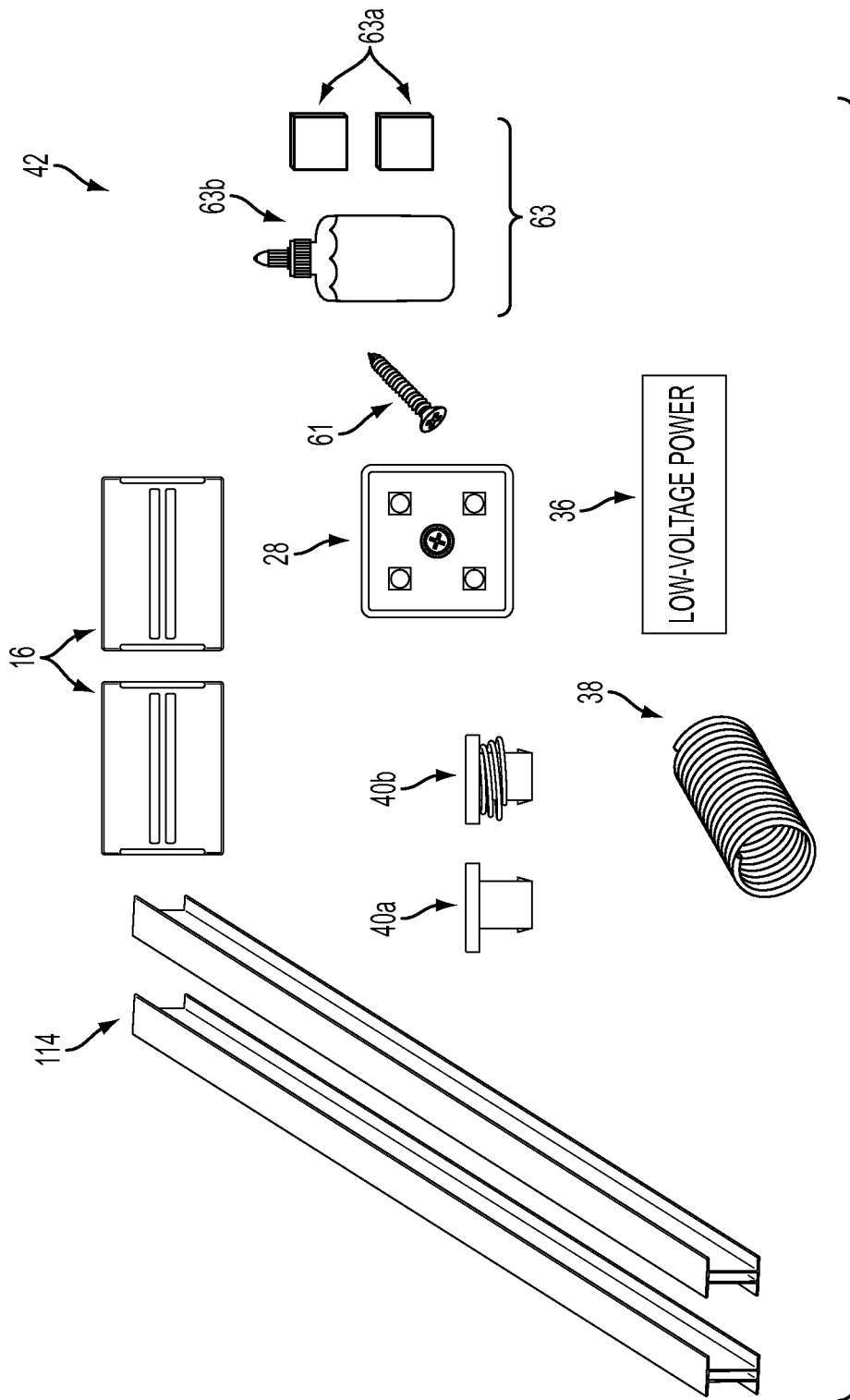


FIG. 22





US 9,311,835 B2

1

**LIGHTING MOUNT FOR  
INTERIOR-LIGHTED SIGNAGE AND  
METHOD OF RETROFITTING A LIGHTED  
SIGN**

CROSS REFERENCE TO RELATED  
APPLICATION

The present application claims the priority benefit of U.S. provisional application Ser. No. 61/417,156, filed Nov. 24, 2010, which is hereby incorporated herein by reference in its entirety.

FIELD OF THE INVENTION

The present invention relates to lighted signs and, more particularly, to electric lighting fixtures for internally-lit or back-lit signs.

BACKGROUND OF THE INVENTION

Internally-lighted or back-lit signs typically have a housing with one or more electric lighting fixtures for supporting and energizing gas-discharge electric lamps' (such as neon or fluorescent tube lamps), and associated electrical wiring to conduct electricity from the lighting fixtures to a power source. At least one side of the housing supports a display sheet (such as a rigid, semi-rigid, or flexible sheet made of cloth, paper, glass, polymer, or the like) that is at least partially translucent, the sheet including lettering, symbols, artwork, or the like. Light from the lamps inside the housing projects through the display sheet to illuminate the lettering or artwork on the sheet, for example.

SUMMARY OF THE INVENTION

The present invention provides a lighting mount that facilitates the retrofitting of existing interior-lit signs, which were originally manufactured for supporting and energizing gas-discharge lamps such as high-output fluorescent or neon tube lamps, with alternative lamps such as low-voltage LED lamps or the like. Optionally, the lighting mount of the present invention can be used in the production of new interior-lit signs that are equipped for low-voltage lighting, substantially without modifying the mechanical or structural features of the signs, which may have originally been designed to be internally lit by one or more higher-voltage fluorescent or neon tube lamps or the like.

In one form of the present invention, a lamp support assembly is provided for interior lighting of a sign. The lamp support assembly includes an elongate support member and a pair of end caps. The elongate support member is capable of supporting a plurality of electric lamp units, such as LED lamp units, between opposite end portions of the elongate support member. The end caps are attached to the elongate support member at opposite end portions thereof. Each of the end caps has an inwardly-facing side for engaging the respective opposite end portions of the elongate support member, and has an outwardly-facing side with a mechanical coupling element. The mechanical coupling element is configured to engage a standard mount such as a mount designed for supporting a gas-discharge lamp such as a fluorescent or neon tube lamp or the like. The elongate support member and the end caps are releasably supportable by and between a corresponding pair of the standard mounts when the standard mounts are supported in spaced arrangement on respective frame portions of the sign.

2

In another form of the present invention, a method is provided for retrofitting an internally-lighted sign that is fitted with one or more gas-discharge lamps or the like. The method includes the steps of: (i) removing the gas-discharge tube lamps from between corresponding pairs of electro-mechanical couplings that are positioned along an interior of the sign; (ii) cutting an elongate support member to fit between the respective pair or pairs of electro-mechanical couplings; (iii) positioning respective end caps at opposite end portions of the elongate support member; (iv) positioning one or more electric lamp units along the elongate support member; and (v) positioning the end caps, elongate support member, and electric lamp units between the pair of electro-mechanical couplings. The electric lamp units may be low-voltage lamp units, so that low-voltage wiring can be electrically connected to the lamp units and routed along the elongate support member to a low-voltage power source in electrical communication with the sign. Optionally, high voltage wiring, power sources, ballast, or the like, which had been associated with the gas-discharge tube lamps, can be removed and/or disabled. Optionally, the electro-mechanical couplings can be replaced with purely mechanical couplings that are structurally similar or identical to the electro-mechanical couplings being replaced.

Therefore, the present invention provides a lighting mount and method that facilitates the replacement of gas-discharge tube lamps in internally-lit signs with low-voltage lamps, such as LED lamps or the like. The lighting mount can be fitted between pairs of standard or conventional electro-mechanical couplings, such as couplings that were originally designed to support and energize gas-discharge tube lamps. In a typical retrofit installation, the lighting mount need not be electrically coupled to the electrical conductors of the electro-mechanical couplings, but instead could be only mechanically coupled, so that the electrical wiring, ballast, or other electrical components could be disabled and/or removed from the sign. Thus, high voltage and/or high power consumption lamps can be readily replaced with low voltage and/or low power consumption lamps in an existing internally-lit sign originally equipped or designed for gas-discharge lamps such as fluorescent or neon tube lamps, or in a newly-constructed internally lit sign that was originally designed for gas-discharge tube lamps, substantially without need for modifying the structure of the sign. The retrofitted or newly-constructed sign can thus be operated with lower energy and maintenance costs.

These and other objects, advantages, purposes and features of the present invention will become apparent upon review of the following specification in conjunction with the drawings.

BRIEF DESCRIPTION OF THE DRAWINGS

FIG. 1 is perspective view of a lighted sign assembly including a lamp support assembly in accordance with the present invention, and showing removal of a gas-discharge tube lamp;

FIG. 2 is an end elevation of the lighted sign assembly of FIG. 1, and with the display sheet removed;

FIG. 3 is a front elevation of the lighted sign assembly of FIG. 1, and with the display sheet removed;

FIG. 4 is a perspective view of a lamp support assembly that is part of the lighted sign assembly of FIG. 1;

FIG. 5 is an end elevation of an elongate support member that is part of the lamp support assembly of FIG. 4;

FIG. 6 is a perspective view of the elongate support member of FIG. 6;



3

FIG. 7 is a perspective view of another lamp support assembly;

FIG. 8 is an end elevation of an elongate support member that is part of the lamp support assembly of FIG. 7;

FIG. 9 is a perspective view of the elongate support member of FIG. 7;

FIG. 10 is a perspective view of the inboard side of an end cap that is part of the lamp support assemblies of FIGS. 4 and 7;

FIG. 11 is a perspective view of an outboard side of the end cap of FIG. 10;

FIG. 12 is a plan view of the inboard side of the end cap of FIG. 10;

FIG. 13 is a plan view of the outboard side of the end cap of FIG. 10;

FIG. 14 is a front elevation of the end cap of FIG. 10;

FIG. 15 is a sectional view of the end cap, taken along section line XV-XV of FIG. 14;

FIG. 16 is a sectional view of the end cap, taken along section line XVI-XVI of FIG. 14;

FIG. 17 is an end elevation of the end cap of FIG. 10;

FIG. 18 is a sectional view of the end cap, taken along section line XVIII-XVIII of FIG. 17;

FIG. 19 is a perspective view of the inboard side of another end cap, which is compatible for use with the lamp support assemblies of FIGS. 4 and 7;

FIG. 20 is a plan view of the outboard side of the end cap of FIG. 19;

FIGS. 21A and 21B are perspective views of the inboard side of the end cap of FIG. 19, with FIG. 21A showing cross sections of the elongate support members of FIGS. 5 and 8 superimposed in phantom;

FIG. 22 is a perspective view of a pair of conventional socket mounts for supporting and energizing a gas-discharge tube lamp;

FIG. 23 is a perspective view of another pair of conventional socket mounts for supporting and energizing a gas-discharge tube lamp; and

FIG. 24 is a plan view of a retrofit kit for use in converting a sign over from gas-discharge tube lamps to low-voltage lamp units.

#### DESCRIPTION OF THE PREFERRED EMBODIMENTS

Referring now to the drawings and the illustrative embodiments depicted therein, a lamp support assembly 10 is provided for interior lighting of a sign 12 (FIG. 1), which may be a single or double-sided sign (or a sign having substantially any number of sides or surfaces) that is internally-lit or "backlit". Lamp support assembly 10 allows for sign 12, which may have been originally designed and manufactured for internal lighting by one or more gas-discharge lamps such as fluorescent or neon tube lamps 21 or the like, to be retrofitted with alternative lighting, such as low-voltage lighting, largely or substantially without modifications to the original sign.

Lamp support assembly 10 includes an elongate support member 14 for supporting one or more electric lamp units 28 which, in the illustrated embodiment, each include four light emitting diode (LED) lamps 32 (FIGS. 1 and 3). Elongate support member 14 has opposite end portions 14a, 14b, and is sized to be positioned between generally parallel frame members 22 of sign 12. Each opposite end portion 14a, 14b of elongate support member 14 is fitted with an end cap 16. Each end cap 16 has an inwardly-facing side 16a and an outwardly-facing side 16b, such as shown in FIGS. 10-13. Inwardly-facing sides 16a are configured to engage one of the opposite

4

end portions 14a, 14b of the elongate support member 14, while outwardly-facing sides 16b include a mechanical coupling element 18 for engaging one of two standard electro-mechanical mounts or sockets 20a, 20b that are configured for supporting and energizing fluorescent tube lamp 21, as will be described below. Optionally, purely-mechanical mounts or sockets 40a, 40b that are structurally similar or identical to standard mounts or sockets 20a, 20b, respectively, but which lack electrical conductors, may be provided in place of standard mounts or sockets 20a, 20b. Regardless of whether standard electro-mechanical mounts or purely-mechanical mounts are used (mounts 20a, 20b being substantially identical in appearance and structure to mounts 40a, 40b, respectively, as shown in FIGS. 1 and 3), lamp support assembly 10 is releasably supportable by and between the mounts 20a, 20b or 40a, 40b via releasable engagement of mechanical coupling elements 18 (FIGS. 4, 7, 10, 11, 13-15, 17, and 18), which are provided on the mounts 20a, 20b and 40a, 40b.

Sign 12 further includes a display sheet 23 that may be a rigid, semi-rigid, or flexible sheet material, which is supported by frame members 22 or by coupling elements (e.g. clips or other mechanical fasteners) or adhesives or the like, that are associated with the sign. For example, such sheet materials may be made of cloth, paper, glass, polymeric material, or the like. Display sheet 23 is at least partially translucent so that at least some of the light emitted from inside of the sign 12 can pass through the sheet 23 and can be seen by persons located within view of the sign. Optionally, the translucent portions of the display sheet 23 may be openings or apertures in the sheet. The display sheet may have substantially any lettering, symbols, artwork, coloring, indicia, or the like, which are made visible (or made more visible) when illuminated from behind (i.e., from inside of sign 12).

Elongate support member 14 has an I-beam cross section with a double web portion 24 and flange portions 26 on opposite ends of the web portion 24 (FIGS. 1-4, 6, and 7). Web portion 24 comprises a pair of spaced plates 24a, 24b that are joined together by the flange portions 26, such as shown in FIGS. 5 and 6. Elongate support member 14 is configured to support the plurality of electric lamp units 28 along one or both opposite sides of web portion 24 (FIGS. 1-3), such as for lighting a one-sided sign or a two-sided sign, respectively.

Optionally, and with reference to FIGS. 7-9, an alternative support member 14' includes a web portion 24' that is comprised of a single plate with opposite flange portions 26'. Flange portions 26' include L-shaped flange tips 27' that may enhance the structural rigidity of support member 14', and that may provide a retaining function for electric lamp units that are positioned along the web portion 24', particularly if the L-shaped flange tips 27' along one side of web portion 24' are spaced more closely together than the width of electric lamp units 28 so that the lamp units can generally only be slid longitudinally along support member 14 until fixed in place, such as described below. Elongate support members 14, 14' may be extruded from metal or non-metal material, for example, such as aluminum or plastic, which may be readily cut using a saw or other cutting tool to obtain a finished length as desired.

The inwardly-facing sides 16a of end caps 16 include a plurality of wall-like projections 30 (FIGS. 1-4, 7, 10-12, 14, 15, 17, and 18) for engaging the I-beam cross section of the elongate support member 14 at the opposite ends 14a, 14b thereof, such as shown in FIGS. 1-4. Projections 30 include a pair of flange-engaging walls 30a on respective opposite ends of end cap 16, and a pair of web-engaging walls 30b that span

US 9,311,835 B2

5

substantially across inwardly-facing side **16a** of end cap **16**, between flange-engaging walls **30a**. A flange-receiving gap **31a** (FIGS. **12** and **14**) is defined between each flange-engaging wall **30a** and the nearby ends of web-engaging walls **30b** for receiving the respective flange portions **26** or **26'** of elongate support members **14** or **14'**. A web-receiving gap **31b** (FIGS. **10** and **12**) is defined between the pair of web-engaging walls **30b**, for receiving the single-wall web portion **24'** of support member **14'**. Web-engaging walls **30b** are spaced such that their outwardly-facing surfaces (i.e., opposite the gap **31b**) can frictionally engage the inner surfaces of the spaced plates **24a**, **24b** that form dual-wall web portion **24** of elongate support member **14**. Thus, projections **30** are arranged to frictionally engage respective web and flange portions of either support member **14**, **14'**, so that end caps **16** are at least frictionally retained at the opposite ends **14a**, **14b** of the elongate support member **14**, **14'**.

Mechanical coupling element **18**, which is disposed along outwardly-facing side **16b** of end cap **16** (FIGS. **4**, **7**, **10**, **11**, **13-15**, **17**, and **18**), substantially replicates the structure of the conventional electro-mechanical end coupler **21a** of a "high output" fluorescent tube lamp **21**, and is shaped to engage or be received in the conventional or standard electro-mechanical sockets or mounts **20a**, **20b**. Standard electro-mechanical sockets or mounts **20a**, **20b** may be of the type commonly referred to as a "Kulka socket", such as that shown and described in U.S. Pat. No. 5,122,074, the disclosure of which is hereby incorporated herein by reference, and such as may be available as Part Nos. 582GDF and/or 583GDF from Voltarc Technologies, Inc. of Waterbury, Conn.

Mechanical coupling elements **18** include a base plate or flange **18a** and a male prong or projection **18b** extending outwardly from base plate **18a** (FIGS. **4**, **7**, **10**, **11**, **13-15**, **17**, and **18**). Male projection **18b** has a pair of opposite side walls **44** that are spaced from each other and joined at their ends by rounded end walls **46** to define an interior cavity **48** (FIGS. **11** and **13**). Inside of cavity **48** is a pair of recessed shoulders **50** that project outwardly from base plate **18a**, but not as far as do side walls **44**, and which form the outward extent of rounded end walls **46** so that a gap **52** is formed between end portions of the opposite side walls **44** (FIGS. **11**, **13**, **15**, **17**, and **18**). Unlike the conventional electro-mechanical end couplers **21a** of fluorescent tube lamp **21**, however, mechanical coupling elements **18** lack electrical conductors since they need not be used to conduct electricity to electric lamp units **28**. In all other respects, mechanical coupling elements **18** may be structurally very similar or even identical to the conventional electro-mechanical end couplers **21a** of high output fluorescent tube lamps **21**, which are configured to mechanically and electrically engage the standard electro-mechanical sockets or mounts **20a**, **20b** of sign **12** (FIG. **1**). Mechanical coupling elements **18** may be made from injection-molded non-metal material, for example, such as a resinous plastic material or the like.

Optionally, it is envisioned that low-voltage wiring for lamp units **28** could be electrically coupled to electrical conductors mounted in the coupling elements **18** of the end caps **16** (i.e., to make coupling elements **18** substantially similar to the end couplers **21a** of fluorescent tube lamps **21**). This would allow each lamp support assembly **10** to be installed in the sign's original electro-mechanical mounts or sockets **20a**, **20b** along the respective frame members **22** and electrically coupled to a power source in substantially the same manner as the fluorescent tube lamps **21**, as long as the power supplied to electro-mechanical mounts **20a**, **20b** is adjusted as appropriate for lamp units **28** (such as by cutting off the high voltage

6

wiring **60** from ballast **34** and high-voltage power source **62**, and instead supplying low voltage power to wiring **60** with low-voltage power source **36**.

Optionally, and with reference to FIGS. **19-21B**, an alternative end cap **116** has an inwardly-facing side **116a** (FIGS. **19**, **21A**, and **21B**) including a plurality of wall-like projections **130a**, **130b** for engaging the I-beam cross section of either of the elongate support members **14**, **14'**, such as shown in FIG. **21A**. An outwardly-facing side **116b** of end cap **116** includes a mechanical coupling element **118** (FIG. **20**) that is substantially identical to coupling element **18** of end cap **16**, as described above. Wall-like projections **130a**, **130b** define flange-receiving gaps **131a** and web-receiving gaps **131b** (FIGS. **19** and **21B**), which are substantially similar to gaps **31a**, **31b** between walls **30a**, **30b** of end cap **16**, as described above. However, web-engaging walls **130b** are discontinuous or segmented to define a pattern of gaps **131c** along their respective lengths.

Gaps **131c** permit inwardly-facing side **116b** of end cap **116** to receive the dual-web elongate support member **14** in either of two orientations, such as shown in FIG. **21A**, and/or to engage a dual-web elongate support member having shorter-length webs in which the flange portions would be received in gaps **131c** that are spaced inwardly from flange-engaging walls **130a** and flange-receiving gap **131a**, while also remaining capable of receiving a single-web elongate support member such as support member **14'**, as shown. Thus, alternative end cap **116** can be mounted to different elongate support members in different orientations, which may facilitate directing light from lamp units **28** laterally toward the perimeter ends or sides of the sign, rather than directly outwardly through the display sheet **23**, for example.

In the illustrated embodiment, electro-mechanical mount **20a** is a fixed-position mount (such as Part No. 582GDF, available from Voltarc Technologies, Inc.) while electro-mechanical mount **20b** is a spring-loaded mount (such as Part No. 583GDF, available from Voltarc Technologies, Inc.), such as shown in FIGS. **1-3** and **22**. Mounts **20a**, **20b** include engaging portions or socket portions **54** for receiving conventional end couplers **21a** of fluorescent tube lamps **21** (FIGS. **1-3**), and respective mounting portions **56a**, **56b** (FIGS. **2** and **22**) for engaging a frame portion, such as frame member **22**. Mounting portion **56b** of spring-loaded mount **20b** includes a coil spring **58** (FIGS. **1-3** and **22**) disposed around mounting portion **56b** and held in compression between socket portion **54** and frame member **22** (FIGS. **1-3**). This allows spring-loaded mount **20b** to be somewhat extendable and retractable relative to frame member **22**, while being biased outwardly from frame member **22** by spring **58** to hold fluorescent tube lamp **21** (or lamp support assembly **10**) in place. As noted above, the purely-mechanical mounts or sockets **40a**, **40b** are structurally the same or substantially similar to standard mounts **20a**, **20b** including a fixed mechanical mount **40a** and a spring-loaded mechanical mount **40b**, and may be provided as optional replacements for electro-mechanical mounts **20a**, **20b**.

Optionally, an alternative standard or conventional electro-mechanical stand-off mount **20'** (or a corresponding purely-mechanical mount, not shown) may be used (FIG. **23**), which stands off from a mounting surface such as a frame member for supporting a fluorescent tube lamp (or lamp support assembly **10**) substantially parallel to the mounting surface. Standard stand-off mounts **20'** include a fixed-position stand-off mount **20a'** (such as Part No. 530.2K, available from Voltarc Technologies, Inc.) and a spring-loaded stand-off mount **20b'** (such as Part No. 530.1K, available from Voltarc Technologies, Inc.). Like mounts **20a**, **20b**, stand-off mounts

20a', 20b' each include a socket portion 54' and a mounting portion or housing 56', with an internal spring (not shown) disposed in the housing of spring-loaded stand-off mount 20b' to bias its socket portion 54' outwardly, such as shown in FIG. 23.

Optionally, various components of the lamp support assemblies 10 can be provided in a retrofit kit 42 (FIG. 24). In the illustrated embodiment, retrofit kit 42 includes one or more elongate extrusions 114 and a pair of end caps 16 for each elongate support member 14 that will be formed from elongate extrusions 114. It will be appreciated that the term "elongate extrusion" is used for convenience, and that elongate support members 14 may be formed via any desired method, such as molding or machining or extruding or the like. Optionally, retrofit kit 42 may include one or more mechanical replacement mounts or sockets 40a, 40b that can be used to replace conventional or standard sockets, and the kit 42 may also include one or more electric lamp units 28, low-voltage wiring 38, a low-voltage power source or converter 36, mechanical fasteners 61, adhesives 63 (such as double-sided adhesive pads 63a or a chemical adhesive 63b), and/or the like.

Thus, lamp support assembly 10 can be positioned between standard electro-mechanical mounts 20a, 20b, or between purely-mechanical mounts or sockets 40a, 40b, by first engaging the mechanical coupling element 18 of the end cap 16 at end 14b of elongate support member 14 with the spring-loaded socket 20b or 40b, compressing the spring 58 to push mounting portion 56 (or a corresponding mounting portion of mechanical socket 40b) further into frame member 22, and then aligning the other mechanical coupling element 18 of the end cap at the opposite end 14a of elongate support member 14 with the fixed socket 20a or 40a, and releasing the assembly 10 so that spring 58 forces the mechanical coupling element 18 at the opposite end 14a of elongate support member 14 into engagement with the fixed socket 20a or 40a, thereby retaining lamp support assembly 10 between the respective sockets 20a or 40a, and 20b or 40b. Low-voltage wiring 38 may be electrically coupled to low-voltage power source 36 either before or after installation of lamp support assembly 10. It will be appreciated that lamp support assembly 10 can be removed simply by following the above steps in reverse order.

A method of retrofitting or assembling a sign to use alternative lamp units differs little from the procedure for installing and removing lamp support assembly 10, described above, although various optional steps may be added, as will now be described. Lamp support assembly 10 may be fabricated by cutting elongate support member 14, 14' to a desired length, fitting end caps 16 to the opposite ends 14a, 14b of elongate support member 14, 14', and installing electric lamp units 28 along one or both sides of web portion 24, 24' of elongate support member 14, 14'. Electrical lamp units 28 are typically installed along one or both sides of web portion 24, 24' of elongate support member 14, 14' using mechanical fasteners 61 (FIGS. 1 and 3), adhesives, or the like, prior to installation of the lamp support assembly 10 at the sign 12, although lamp units 28 can be added later, if desired. In the case of elongate support member 14' having flange portions 26' with L-shaped flange tips 27', the lamp units 28 may be inserted between L-shaped flange tips 27' and web portion 24' from either end of the elongate support member 14', such as in stacked or spaced arrangement, and held in place by L-shaped flange tips 27' and/or mechanical fasteners 61, adhesives, or the like. Low-voltage wiring 38 may be pre-installed at lamp units 28, or may be installed at lamp units 28 after they are

attached to elongate support member 14, 14', and routed along elongate support member 14, 14'.

If the installation is a retrofit, fluorescent tube lamps 21 can be removed from sign 12 (FIG. 1) following the removal steps described above for lamp support assembly 10 (i.e. following the installation steps in reverse order), and lamp support assemblies 10 can then be installed between respective pairs of standard electro-mechanical mounting sockets 20a, 20b as described above. Optionally, standard electro-mechanical mounting sockets 20a, 20b can be replaced with purely mechanical replacement sockets 40a, 40b once fluorescent tube lamps 21 are removed. Otherwise, if the installation is in a new sign, the installer may choose whether to use standard electro-mechanical mounting sockets 20a, 20b or purely mechanical mounting sockets 40a, 40b at frame members 22.

Once lamp support assemblies 10 are installed, the low-voltage electrical wiring 38 is routed to a low-voltage electrical power source 36 (FIG. 1) so that the electric lamp units 28 can be supplied with the appropriate electrical power. Optionally, as in the case of a retrofit of a sign that had been previously set up or designed for fluorescent tube lamps 21, the installer may choose to cut, remove, or disable any high-voltage wiring 60 (FIG. 1) associated with the tube lamps 21 and ballast 34 and high-voltage power source 62. The installer may also choose to remove or disable the ballast 34, and may electrically couple low-voltage power source 36 to high voltage power source 62 via high-voltage wiring 64, which may be routed in an approved method, either externally to sign 12 or through frame members 22 (which may be hollow extruded sections, as shown in FIGS. 1 and 2). Depending on local or national electrical codes, it may be permissible to route low-voltage wiring 38 outside of conduits or frame members, which can simplify the installation process.

Therefore, the present invention provides a lighting mount assembly and method that facilitates the retrofitting of existing interior-lit signs, which may have been originally manufactured for supporting and energizing high-output gas-discharge lamps, such as fluorescent or neon tube lamps or the like. The signs may be retrofitted with alternative lamps such as low-voltage LED lamps or the like, although it will be appreciated that principles of the present invention can be practiced in connection with substantially any type of lighting as an alternative to gas-discharge lamps such as fluorescent tube lamps. The lighting mount assembly can also be used in the production of new interior-lit signs that are equipped for low-voltage lighting, substantially without modifying the mechanical or structural features of the signs, which may have originally been designed to be internally lit by one or more fluorescent tube lamps or the like.

Changes and modifications in the specifically described embodiments can be carried out without departing from the principles of the present invention, which is intended to be limited only by the scope of the appended claims, as interpreted according to the principles of patent law including the doctrine of equivalents.

The embodiments of the invention in which an exclusive property or privilege is claimed are defined as follows:

1. A lamp support assembly for interior lighting of a sign, said lamp support assembly comprising:
  - an elongate support member for supporting a plurality of electric lamp units, said elongate support member having opposite end portions;
  - one and only one end cap at each of said opposite end portions of said elongate support member, each of said end caps having an inwardly-facing side and an outwardly-facing side, said inwardly-facing sides config-

US 9,311,835 B2

9

ured to frictionally engage and be supported at a respective one of said opposite end portions of said elongate support member;

a mechanical coupling element at each of said outwardly-facing sides of said end caps, said mechanical coupling element configured to engage a single electro-mechanical mount for a gas-discharge lamp, wherein said mechanical coupling element comprises electrically insulative material and does not retain any electrical conductors along or through said mechanical coupling element for powering the plurality of electric lamp units; and

wherein said elongate support member and said end caps are releasably supportable by and between two and only two of the mounts when the two mounts are aligned directly opposite one another and supported in spaced arrangement on respective frame portions of the sign.

2. The lamp support assembly of claim 1, wherein said elongate support member comprises an I-beam cross section having a web portion and spaced-apart flange portions on opposite ends of said web portion.

3. The lamp support assembly of claim 2, wherein said web portion of said elongate support member comprises a pair of spaced plates joined together by said flange portions.

4. The lamp support assembly of claim 2, wherein said inwardly-facing sides of said end caps comprise a plurality of projections for engaging said I-beam cross section of said elongate support member at said opposite ends thereof.

5. The lamp support assembly of claim 4, wherein said inwardly-facing sides of said end caps are configured to engage either of (i) a single-web I-beam cross section or (ii) a dual-web I-beam cross section of said elongate support member.

6. The lamp support assembly of claim 2, wherein said elongate support member is configured to support the plurality of electric lamp units at said web portion.

7. The lamp support assembly of claim 6, wherein said elongate support member is configured to support the electric lamp units along opposite sides of said web portion.

8. The lamp support assembly of claim 1, wherein said mechanical coupling elements are configured to engage a fixed-position mount and a spring-loaded mount, each of the mounts being configured for supporting a respective opposite end portion or coupler of a gas-discharge lamp and for supplying electricity to the gas-discharge lamp.

9. The lamp support assembly of claim 1, further in combination with a lighted sign and a plurality of the electric lamp units.

10. The lamp support assembly of claim 9, wherein said electric lamp units comprise LED lamps.

11. The lamp support assembly of claim 10, wherein said elongate support member comprises an I-beam cross section having a web portion and spaced-apart flange portions on opposite ends of said web portion, and wherein said electric lamp units are coupled to said web portion and are positioned between said spaced-apart flange portions.

12. The lamp support assembly of claim 1, wherein said elongate support member comprises a metal or a resinous plastic extrusion, and wherein said end caps comprise a non-metal material.

13. A method of retrofitting an internally-lighted sign that is fitted with one or more gas-discharge lamps, said method comprising:

removing the one or more gas-discharge lamps from between one or more respective pairs of gas-discharge lamp couplings positioned directly opposite from one another along an interior of the sign;

10

positioning and frictionally engaging respective end caps at opposite end portions of an elongate support member, wherein the end caps are made of electrically insulative material and do not retain any electrical conductors along or through said end caps for powering said plurality of electric lamp units;

positioning one or more electric lamp units along the elongate support member; and

engaging each of the end caps in a non-conductive manner with a respective one and only one of the gas-discharge couplings or with a respective one and only one replacement coupling to thereby position the end caps, the elongate support member, and the electric lamp units between the gas-discharge lamp couplings or replacement couplings that are positioned directly opposite from one another.

14. The method of claim 13, further comprising cutting the elongate support member to fit between the one or more respective pairs of the gas-discharge lamp couplings or the replacement couplings.

15. The method of claim 13, further comprising disabling or removing an existing ballast in the internally-lighted sign so that the gas-discharge lamp couplings cannot readily be electrically energized.

16. The method of claim 13, further comprising:

providing a low-voltage power source for energizing the electric lamp units; and

electrically coupling the electric lamp units to the low-voltage power source.

17. The method of claim 16, wherein said positioning one or more electric lamp units along the elongate support member further comprises routing low-voltage electrical wiring associated with the electric lamp units along at least a portion of the elongate support member and electrically connecting the electrical wiring to the low voltage power source.

18. The method of claim 13, further comprising replacing the gas-discharge lamp couplings with purely mechanical replacement couplings prior to said positioning the end caps, elongate support member, and electric lamp units.

19. A retrofit kit for an internally-lit sign, the sign having a framework and at least one display sheet that is at least partially translucent, said kit comprising:

an elongate support member for supporting a plurality of electric lamp units, said elongate support member having opposite end portions;

a plurality of low-voltage lamp units for positioning along the elongate support member;

a pair of end caps configured to frictionally engage the opposite end portions of the elongate support member, each of the end caps having one and only one mechanical coupling element at an outwardly-facing side thereof, wherein the end caps are made of electrically insulative material and do not retain any electrical conductors along or through said mechanical coupling element for powering said plurality of electric lamp units; and

wherein respective mechanical coupling elements of the pair of end caps are configured to non-electrically engage respective individual standard mounts located directly opposite one another at the framework that are for supporting a single gas-discharge lamp at the framework.

20. The retrofit kit of claim 19, further comprising a pair of purely mechanical mounts for replacing the standard mounts in the sign.

\* \* \* \* \*